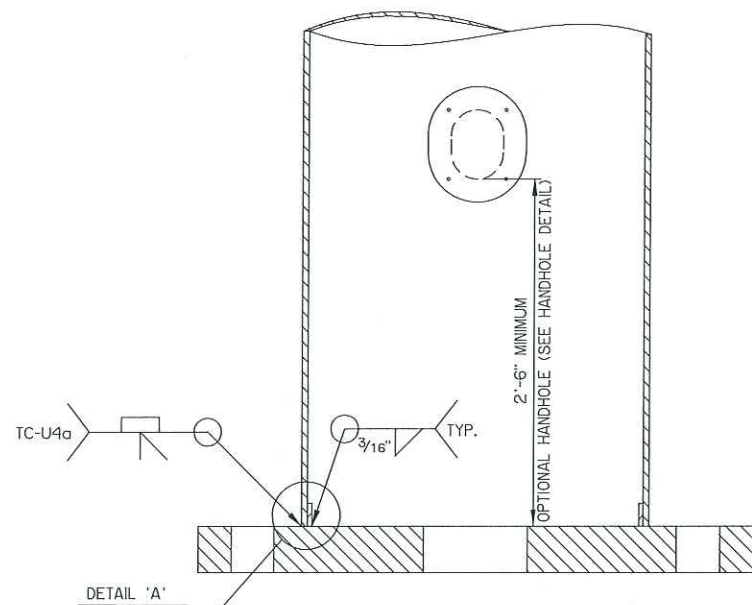
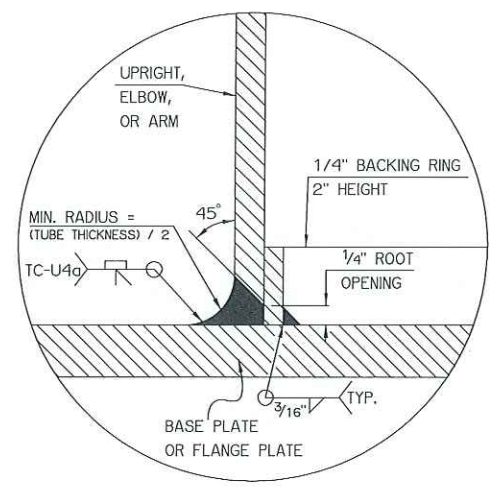


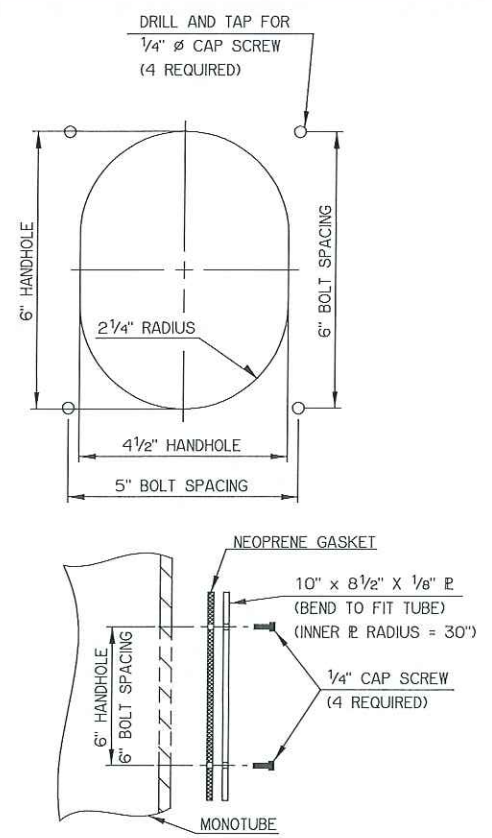
REV. NO.	DESCRIPTION	REVISIONS	DATE



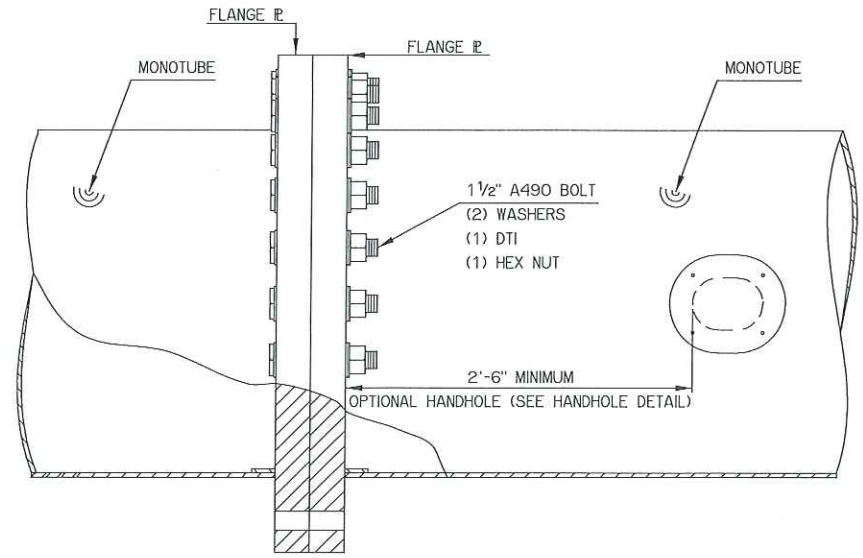
TUBE-TO-TRANSVERSE-PLATE DETAIL (TYPICAL)
(DETAIL TYPICAL FOR BASE AND FLANGE PLATES)



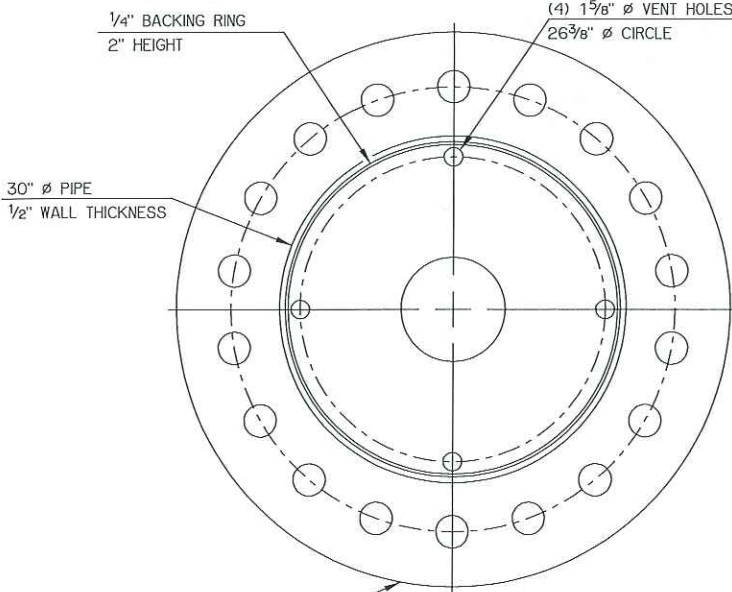
DETAIL 'A'



HANDHOLE DETAIL
(OPTIONAL)

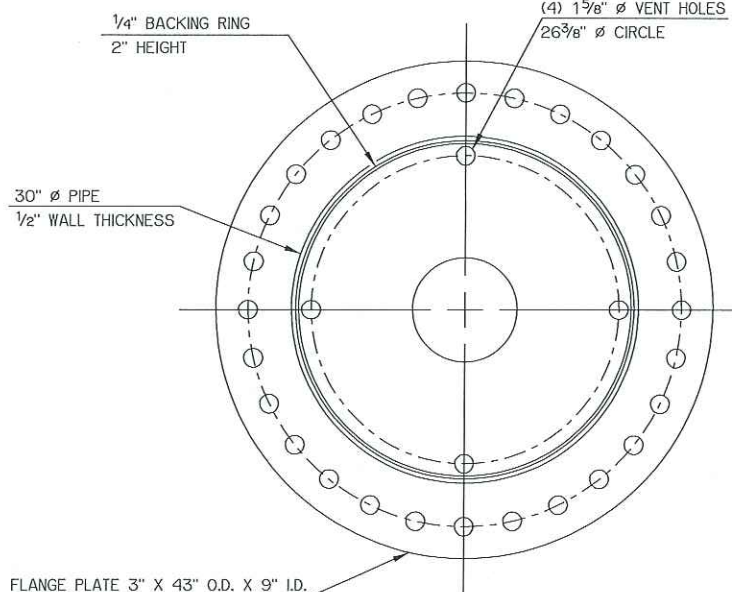


TYPICAL FLANGE CONNECTION DETAIL
NOTE: OPTIONAL HANDHOLES FOR TYPE 'C' STRUCTURES SHOULD BE POSITIONED ON THE DOWN TRAFFIC FACE OF THE TUBE.



BASE PLATE 4" X 48" O.D. X 9" I.D.
(18) 2 13/16" Ø BOLT HOLES
BOLT CIRCLE 38 1/2" Ø
2 1/2" F1554 GR.55 ANCHOR BOLTS

BASE PLATE



FLANGE PLATE 3" X 43" O.D. X 9" I.D.
(28) 1 5/8" Ø BOLT HOLES
BOLT CIRCLE 37 1/2" Ø
1 1/2" A490 BOLTS

FLANGE PLATE

MONOTUBE STRUCTURE (TYPE 'C' DETAILS)		Design	JG	JW
		Detail	JG	JW
Check	JG	JW		
Squad Eng.	SUPERVISOR			
	ENGINEER			
STATE OF OKLAHOMA		DEPARTMENT OF TRANSPORTATION		SHEET NO. M3
		JOB PIECE NO. 30444(06)		